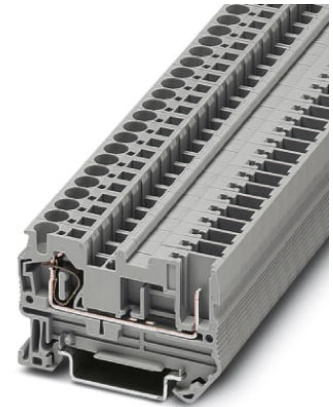


ST 4/ 1P

Order No.: 3042719

<http://eshop.phoenixcontact.de/phoenix/treeViewClick.do?UID=3042719>Pluggable three-level spring-cage terminal block for mounting on NS
35**Commercial data**

EAN	4017918956035
Pack	50 Pcs.
Customs tariff	85369010
Weight/Piece	0.00793 KG
Catalog page information	Page 202 (CL-2007)

Product notesWEEE/RoHS-compliant since:
01/01/2003

<http://www.download.phoenixcontact.com>
Please note that the data given here has been taken from the online catalog. For comprehensive information and data, please refer to the user documentation. The General Terms and Conditions of Use apply to Internet downloads.

Technical data**General**

Number of levels	1
Number of connections	2
Color	gray
Insulating material	PA
Inflammability class acc. to UL 94	V0

Dimensions

Width	6.2 mm
Length	55.8 mm
Height NS 35/7,5	36.5 mm
Height NS 35/15	44 mm

Technical data

Rated surge voltage	6 kV
Pollution degree	3
Surge voltage category	III
Insulating material group	I
Connection in acc. with standard	IEC 61 984
Nominal current I_N	32 A (with 6 mm ² conductor cross section)
Nominal voltage U_N	800 V

Connection data

Conductor cross section solid min.	0.08 mm ²
Conductor cross section solid max.	6 mm ²
Conductor cross section stranded min.	0.08 mm ²
Conductor cross section stranded max.	4 mm ²
Conductor cross section AWG/kcmil min.	28
Conductor cross section AWG/kcmil max	10
Conductor cross section stranded, with ferrule without plastic sleeve min.	0.25 mm ²
Conductor cross section stranded, with ferrule without plastic sleeve max.	4 mm ²
Conductor cross section stranded, with ferrule with plastic sleeve min.	0.25 mm ²
Conductor cross section stranded, with ferrule with plastic sleeve max.	4 mm ²
2 conductors with same cross section, stranded, TWIN ferrules with plastic sleeve, min.	0.5 mm ²
2 conductors with same cross section, stranded, TWIN ferrules with plastic sleeve, max.	1 mm ²
Type of connection	Spring-cage connection
Stripping length	10 mm
Internal cylindrical gage	A3

Certificates / Approvals

Approval logo

**CUL**

Nominal voltage U_N	600 V
Nominal current I_N	30 A
AWG/kcmil	28-10

UL

Nominal voltage U_N	600 V
Nominal current I_N	30 A
AWG/kcmil	28-10
Certification	CUL, UL

Accessories

Item	Designation	Description
------	-------------	-------------

Assembly

3030721	ATP-ST 4	Partition plate, for visual and electrical separation of terminal groups, width: 2 mm, color: gray
3030420	D-ST 4	Cover, width: 2.2 mm, color: gray
1207640	NS 35/ 7,5 PERF 755MM	NS 35 DIN rail, height 7.5 mm, length 755 mm
1207653	NS 35/ 7,5 PERF 955MM	NS35 DIN rail, height 7.5 mm, length 955 mm
1207666	NS 35/ 7,5 PERF 1155MM	NS 35 DIN rail, height 7.5 mm, length 1155 mm
1207679	NS 35/15 PERF 755MM	NS 35 DIN rail, height 15 mm, length 755 mm
1207682	NS 35/15 PERF 955MM	NS 35 DIN rail, height 15 mm, length 955 mm
1207695	NS 35/15 PERF 1155MM	NS 35 DIN rail, height 15 mm, length 1155 mm

Bridges

3030336	FBS 2-6	Plug-in bridge for cross-connections in the terminal center, 2-pos., color: Red
3030242	FBS 3-6	Plug-in bridge for cross-connections in the terminal center, 3-pos., color: Red
3030255	FBS 4-6	Plug-in bridge for cross-connections in the terminal center, 4-pos., color: Red

3030349	FBS 5-6	Plug-in bridge for cross-connections in the terminal center, 5-pos., color: Red
3030271	FBS 10-6	Plug-in bridge for cross-connections in the terminal center, 10-pos., color: Red
3030365	FBS 20-6	Plug-in bridge for cross-connections in the terminal center, 20-pos., color: Red
3032224	FBS 50-6	Plug-in bridge for cross-connections in the terminal center, 50-pos., color: Red

Marking

3040588	PC	Coding for all basic terminal blocks
3030954	WST 4	Warning cover, 5-pos., for terminal width: 6.2 mm
1050004	ZB 5 :UNBEDRUCKT	Zack strip, unprinted, 10-section, for individual labeling with M-PEN, ZB-T or CMS system, pack is sufficient for 100 terminal blocks, for a terminal width of 5.2 mm, color: White

Plug/Adapter

3002885	ISH 4/0,5	Cross-section range: 0.25 - 0.5 mm ² / 0.75 - 1 mm ²
3002898	ISH 4/1,0	Cross-section range: 0.25 - 0.5 mm ² / 0.75 - 1 mm ²
3030925	PAI-4	Test adapter, for 4 mm diameter test plug PS and safety test plug, makes contact in the bridge shaft
3030996	PS-6	Modular test plug, for individual assembly of test plug strips, for UT, ST, DT and QT terminal blocks, can be labeled with ZBF 6, color: Red

Tools

1204517	SZF 1-0,6X3,5	Screwdriver, blade: 0.6 x 3.5 x 100 mm, length 180 mm
---------	---------------	---

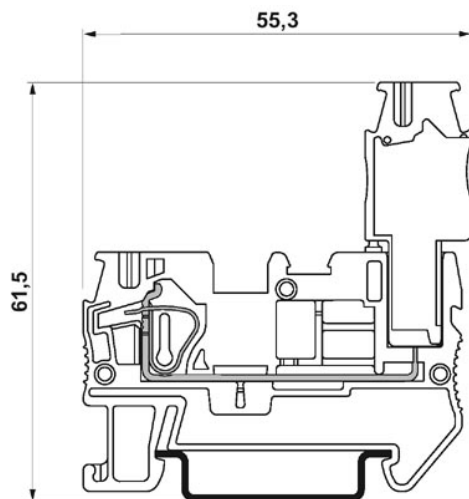
Additional products

Item	Designation	Description
Plug/Adapter		
3042751	SP 4/ 1-L	Connector with spring-cage connection for self-assembly, left element; cross section: 0.08 - 0.4 mm ² , width: 6.2 mm, color: Gray
3042764	SP 4/ 1-L BU	Connector with spring-cage connection for self-assembly, left element; cross section: 0.08 - 0.4 mm ² , width: 6.2 mm, color: Blue
3042777	SP 4/ 1-L GNYE	Connector with spring-cage connection for self-assembly, left element; cross section: 0.08 - 0.4 mm ² , width: 6.2 mm, color: Green-yellow
3042780	SP 4/ 1-M	Connector with spring-cage connection for self-assembly, middle element; cross section: 0.08 - 0.4 mm ² , width: 6.2 mm, color: Gray
3042793	SP 4/ 1-M BU	Connector with spring-cage connection for self-assembly, middle element; cross section: 0.08 - 0.4 mm ² , width: 6.2 mm, color: Blue

3042803	SP 4/ 1-M GNYE	Connector with spring-cage connection for self-assembly, middle element; cross section: 0.08 - 0.4 mm ² , width: 6.2 mm, color: Green-yellow
3042816	SP 4/ 1-R	Connector with spring-cage connection for self-assembly, right element; cross section: 0.08 - 0.4 mm ² , width: 6.2 mm, color: Gray
3042829	SP 4/ 1-R BU	Connector with spring-cage connection for self-assembly, right element; cross section: 0.08 - 0.4 mm ² , width: 6.2 mm, color: Blue
3042832	SP 4/ 1-R GNYE	Connector with spring-cage connection for self-assembly, right element; cross section: 0.08 - 0.4 mm ² , width: 6.2 mm, color: Green-yellow

Drawings

Dimensioned drawing



The illustration shows the terminal with the plug version SP 4/...